

NON-RETURN VALVES series ERK-RVS

Prevents backflow

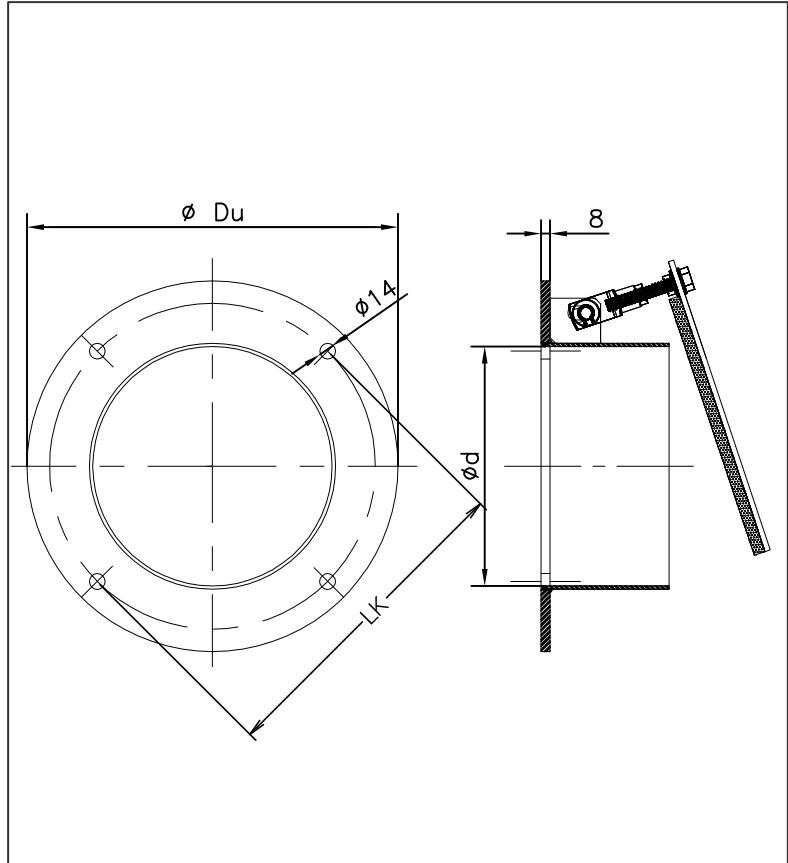
PRODUCT DESCRIPTION

ESEP stainless steel non-return valve for use in surface water, sewers and other aggressive environments, **series ERK-RVS**. Suitable for mounting on a flat (concrete) surface wall. Fully produced from stainless steel AISI 304 or 316TI. Profiles of up to DN 500 are made with a sealing of 10 mm thick Neoprene. Bigger profiles are made with a special sealant, which is mounted to the valve. Mounting by means of chemical or mould in anchors. Maximum leakage allowed follows DIN19569-4 class 3.

APPLICATIONS

The stainless steel non-return valve is used in surface water, sewers, drainage systems with a pumping station and other aggressive environments in which backflow needs to be prevented.

DRAWING*



QUALITY

- Suitable for mounting on flat (concrete) surface walls by means of chemical or mould in anchors
- Fully produced from stainless steel AISI 304 or 316TI
- Sealant of Neoprene with profiles up to DN 500, in case of larger profile special sealing is fitted on
- Maximum leakage allowed follows DIN19569-4 class 3

SPECIFICATIONS

Type	Ø d*	Du	LK	# holes	Kg.
ERK-RVS 100	100	280	240	4	4,0
ERK-RVS 150	150	280	240	4	5,0
ERK-RVS 200	200	330	290	4	6,5
ERK-RVS 250	250	390	340	4	10,2
ERK-RVS 300	300	475	425	6	14,8
ERK-RVS 350	350	500	450	6	20,2
ERK-RVS 400	400	550	500	6	25,4
ERK-RVS 450	450	600	540	6	29,0
ERK-RVS 500	500	710	650	8	31,2
ERK-RVS 600	600	810	750	8	
ERK-RVS 700	700	920	860	12	
ERK-RVS 800	800	1020	960	12	
ERK-RVS 900	900	1120	1060	16	
ERK-RVS 1000	1000	1220	1160	16	

Ø d* = Connection diameter
Drawing* = global overview drawing

Other sizes and custom versions by request.