

SLUDGE TRAP PA

For sedimentation

PRODUCT DESCRIPTION

ESEP reinforced concrete prefabricated "sludge trap", **series B 2000** capacities **1750, 2200, 3000, 5000, 7500, 10000 15000 and 20000 l**. Resistant against mineral liquids by means of internal surface treatment using a watertight concrete layer followed by two-component epoxy coating. Inlet is fitted with HDPE spigot, outlet is fitted with flexible Forsheda connections for plastic pipings. Manhole cover cast iron lid or cast iron-concrete combination. Manhole opening 600 x 600 mm.

APPLICATIONS

Sludge traps are commonly used in combination with an oil or grease separator. They can also be used for protection of sewer systems or surface waters in case of a strong sludge-containing waste water flow, for example in:

- automotive companies
- engine overhauling
- petrol stations
- carwashes
- industrial areas
- parking lots
- storage areas
- environment parks
- unloading zones

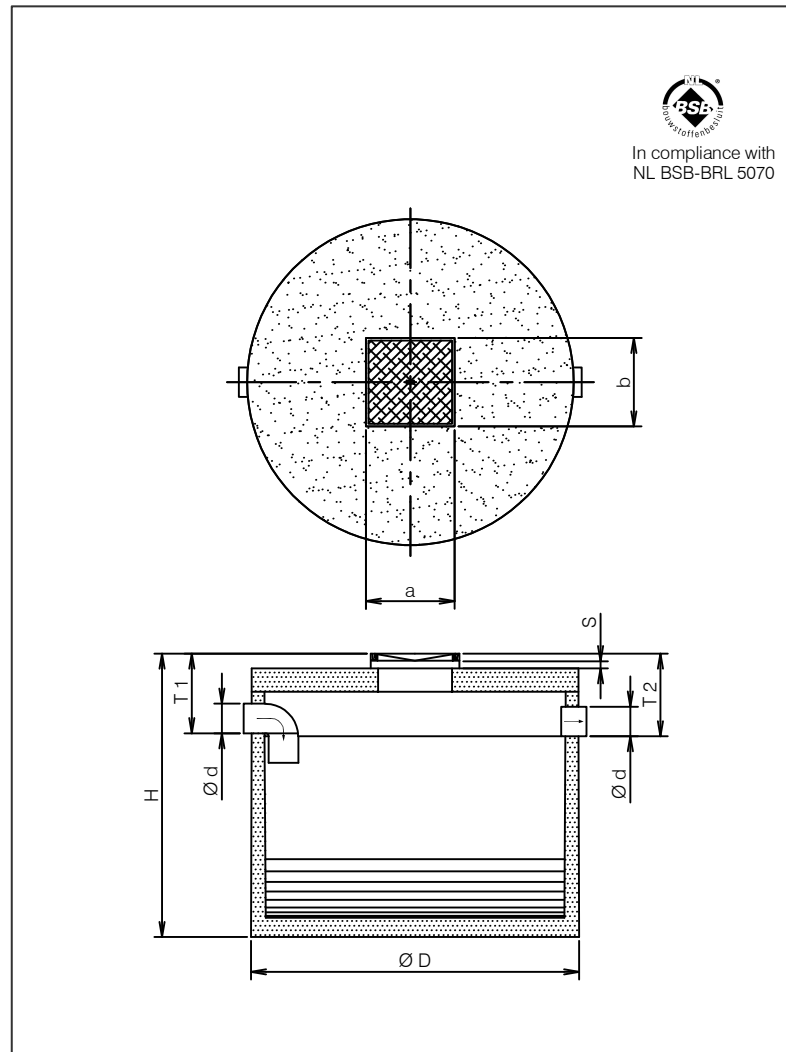
QUALITY

- Provided with internal acid- and oil resistant two-component epoxy coating.
- Constructed and designed for static loads in accordance with NEN-EN 858
- Concrete quality in accordance with NEN-EN 206-1 and NEN-EN 8005, minimal C35/45 environmental classification XC2
- CE certified

Manhole cover:

- cast iron lid conform NEN-EN 124 class B 125 kN
- or cast iron-concrete combination class D 400 kN wheel pressure type E352BR/240

DRAWING



SPECIFICATIONS

Type	I*	Ø D	Ø d	H	T 1	T 2	a	b	Kg.
B 2017	2000	1500	125	1650	450	470	700	700	1805
B 2022	2300	1500	160	1830	450	470	700	700	1925
B 2030	3000	1700	200	1830	450	470	700	700	2415
B 2050	5000	2230	200	1880	490	510	700	700	4875
B 2070	7500	2350	250	2310	580	600	700	700	5500
B 20100	10.000	2810	250	2210	580	600	700	700	7700
B 20150	15.000	3480	250	2080	580	600	700	700	9975
B 20200	20.000	3480	250	2630	580	600	700	700	11295
In case of cover class D 400 kN				+ 190	+ 190	+ 190			

I* = Volume of sludge trap (litres).

S = Adjustable height by using concrete extension rings.
Available in heights 300 mm. To be installed water-tight on-site.

** N.B. Maximum level of ground covering 500 mm. When high ground water, intensive heavy traffic or deeper placement is present, extra precautions have to be made. Factory warranty on water tightness up to the usual aquiferous range.